

Part No. 99-0135

TIOS H35

Hydraulic tool with process control for installation of lockbolts 5–6.4 mm and structural blind rivets 6.4 mm

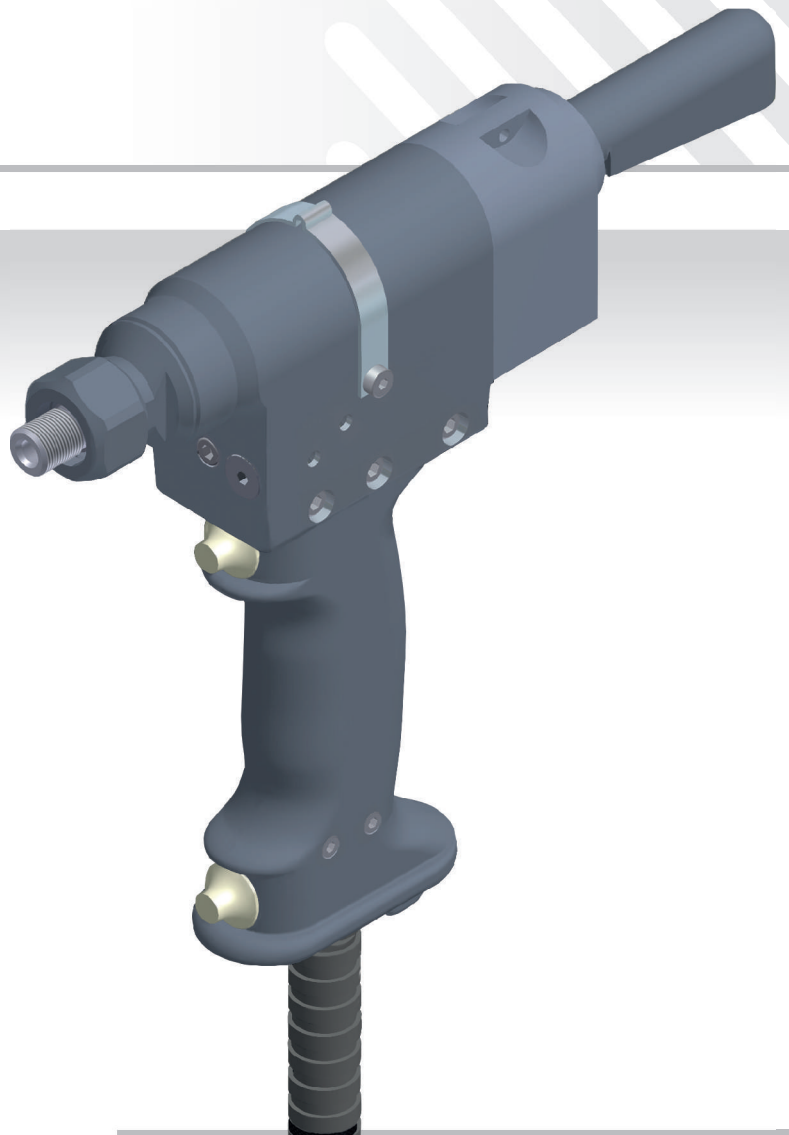
Scope of use:

Type of rivet	SRB (Lockbolt) Standard		SRB (Lockbolt) Multigrip		Blind rivets
	5	6/6.4	5	6.4	
Aluminium	✓	✓	✓	✓	✓
Steel	✓	✓	✓	✓	✓
Stainless	✓	✓			✓

* structural blind rivets: TIBULB, M-LOCK, MAGNA-BULB, HUCKLOCK etc.

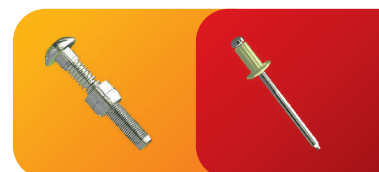
Technical parameters:

Model	TIOS H35
Drive	TIOS H350 / TIOS H450
Pulling Force	26.5 kN/35 MPa / 34.4 kN/45 MPa
Working Stroke	30 mm
Weight (without Hoses)	2.5 kg
Maximum Pressure	35 MPa
Length	268 mm
Height	225 mm
Length of Hoses	2.5 m
Control Voltage	24 V



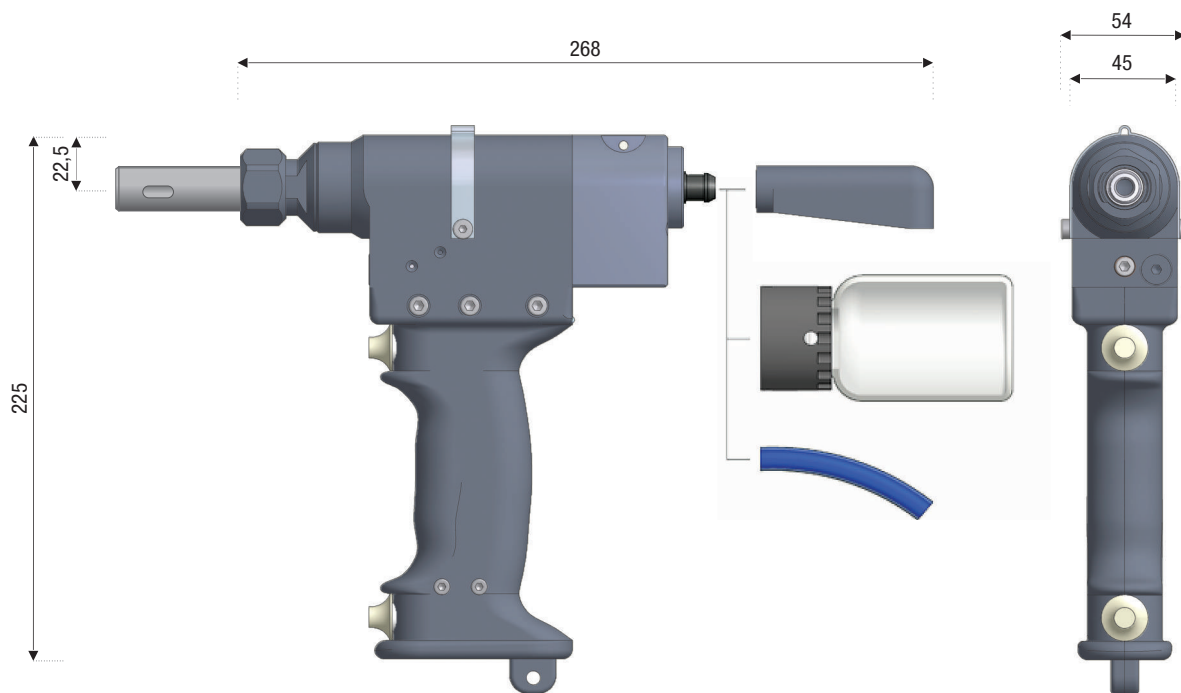
Description:

- integrated with patented TC riveting process control system, together with the drive unit TIOS H provides an effective tool for monitoring and evaluation of the riveting processes
- electronically controlled movement of the hydraulic tool
- chip for automatic setting of the values in the evaluation equipment
- identification of the results of the process by colour diodes
- low transferred vibrations
- robust construction
- extremely thin hydraulic hoses for easy operation
- ergonomic handle is comfortable to hold
- second balancer hook for working in inverted position
- second trigger for working in the inverted position
- optional removable collecting container for spent mandrels
- hose connection adapter for discharging of mandrels
- simple operation



Dimensions of tool:

TIOS H35



Standard accessories:

Description	Part No.
Deflector	87-0062

Optional accessories:

Description	Part No.
Mandrel Collector	87-0060
Mandrel Collector Reinforced	87-0061
Adapter for Mandrel Collector	87-0272
Nose Assembly / Standard Lockbolt 6.4 mm	375 885
Nose Assembly 6.5 mm Magna-Lock®, Magna-Bulb®, Tibulb®	375 945