

Fastening Technology / Blind Rivets

TIFAS[®] Expanding Shank Plastic Rivets



Copyright

All texts, images, technical documents and other information contained in this catalogue are subject to copyright held by Titgemeyer GmbH & Co. KG. Any reproduction or disclosure, whether as a copy or other form of duplication or use, is expressly prohibited without the prior consent of Titgemeyer GmbH & Co. KG.

Registered trademarks

The trademarks BÖRTI, GETO, GETO therm, GETOVAN, GTO, LockBolt, MEGA PORT, plasti van, PLYFIX, POLYSTIC, press-ti, RIEKO, RIV-TI, ROLL-TO, TIBOLT, TIBULB, TIFAS, TILA, TIOS and Titgemeyer are registered trademarks and the intellectual property of Titgemeyer GmbH & Co. KG.

Term of Delivery and Payment

All deliveries are carried out in compliance with our Terms of Delivery and Payment.

Limitation of liability

All technical data, performance descriptions, drawings, illustrations, measurements, weights or any other performance data, recommendations and guidelines contained in this catalogue and relating to the installation of parts that we supply are only binding if so expressly agreed. Moreover, the user is obliged at all times to check each individual use and decide whether the components that we supply can be used as needed.

We accept liability in the case of wilful intent, gross negligence and infringement of cardinal contractual duties as well as for errors in respect of express or implied representations. Notwithstanding this, any claims for compensation not explicitly agreed to in these terms and conditions are hereby excluded in the case of customers who are not consumers and, in the case of such customers, who are not consumers, at all events limited to the damage foreseeable at the time of concluding the contract as well as to the value of the delivered consignment. To the extent that our liability is excluded or limited, this shall extend accordingly to the personal liability of employees, legal representatives and vicarious agents. In all instances of gross negligence committed by vicarious agents, we shall solely be liable to customers, who are not consumers, to compensate for typically foreseeable damage. The statutory regulation governing the burden of proof shall remain unaffected. The aforementioned limitation of liability shall not apply to claims resulting from product liability, for damage resulting from injury to life, limb or health, or for damage to privately used property.

All technical specifications contained in this brochure are approximate and no guarantee is given as to their accuracy. Designs are subject to change.

Contents

			Page
TIFAS® expanding shank plastic rivets	Overview		5
	Round head	Plastic, black	6
	Round head	Plastic, white	7

All technical data is intended as a guide but is not binding! Subject to change without notice.

TIFAS® expanding shank plastic rivets



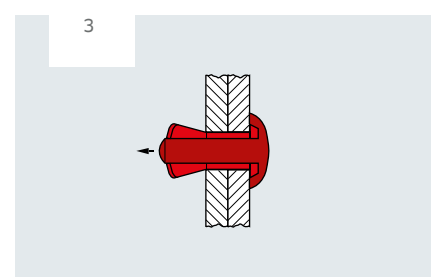
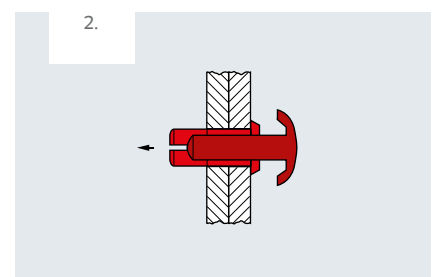
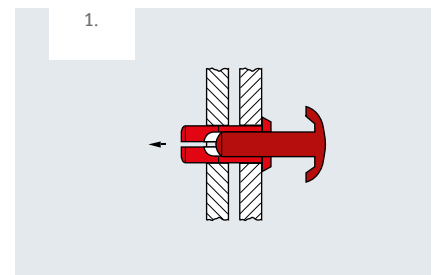
TIFAS® expanding shank plastic rivets are installed on one side using your thumb and can be used for a diverse range of applications: on the back of components that are impossible or very difficult to access, e.g. to fasten panels, type plates and signs or all types of covers. TIFAS® expanding shank plastic rivets are dielectric (non-conductive), made of viscoelastic, corrosion-free material and lightweight. The smooth, large rivet head provides an outside cap for the expanding rivet to create a visually appealing finish.

Benefits at a glance

- Suitable for securing components
- Can be installed by hand by applying a slight amount of pressure
- Universal use
- Quick and secure installation
- Heatless installation means component will not warp.
- Eliminates extensive refinishing
- Corrosion-free

Installation steps

1. Insert TIFAS® expanding shank rivet into the hole
2. Using your thumb, apply pressure to the rivet head to set the rivet
3. The TIFAS® expanding shank rivet is installed

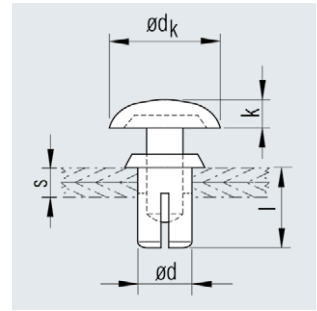


TIFAS® expanding shank plastic rivets

Round head

Material

Plastic PA 6.6,
black



Nominal \varnothing d [mm]	Bore \varnothing [mm]	Grip range s [mm]	Sleeve l max [mm]	Rivet head \varnothing dk +0.1 -0.3 [mm]	Height k +0.1 -0.2 [mm]	Shank slits	Article No.
3.0	3.1 - 3.2	2.0 - 3.0	4.5	6.5	2.0	2	409 531 000
		3.0 - 4.0	5.5	6.5	2.0	2	409 532 000
		4.0 - 5.0	6.5	6.5	2.0	2	409 533 000
		5.0 - 6.0	8.0	6.5	2.0	2	409 534 000
4.0	4.2 - 4.3	1.5 - 2.5	4.5	8.5	2.0	4	409 540 000
		2.5 - 3.5	5.5	8.5	2.0	4	409 541 000
		3.5 - 4.5	6.5	8.5	2.0	4	409 542 000
		4.5 - 5.5	7.5	8.5	2.0	4	409 543 000
		5.5 - 6.5	8.5	8.5	2.0	4	409 544 000
5.0	5.2 - 5.3	1.5 - 2.5	4.5	9.0	2.1	5	409 550 000
		2.5 - 3.5	5.5	9.0	2.1	5	409 551 000
		3.5 - 4.5	6.5	9.0	2.1	5	409 552 000
		4.5 - 5.5	7.5	9.0	2.1	5	409 553 000
		5.5 - 6.5	8.5	9.0	2.1	5	409 554 000
		6.5 - 7.5	9.5	9.0	2.1	5	409 555 000
6.0	6.4 - 6.5	7.5 - 8.5	10.5	9.0	2.1	5	409 556 000
		1.5 - 2.5	4.5	11.0	2.9	5	409 560 000
		2.5 - 3.5	5.5	11.0	2.9	5	409 561 000
		3.5 - 4.5	6.5	11.0	2.9	5	409 562 000
		4.5 - 5.5	7.5	11.0	2.9	5	409 563 000
		5.5 - 6.5	8.5	11.0	2.9	5	409 564 000
		6.5 - 7.5	9.5	11.0	2.9	5	409 565 000
7.5 - 8.5	10.5	11.0	2.9	5	409 566 000		

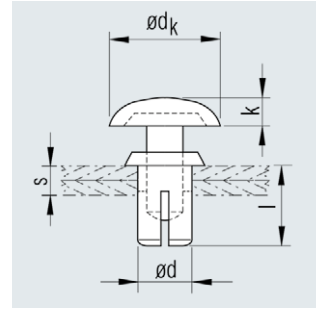
Other designs available on request.

TIFAS® expanding shank plastic rivets

Round head

Material

Plastic PA 6.6,
white



Nominal \varnothing d [mm]	Bore \varnothing [mm]	Grip range s [mm]	Sleeve l max [mm]	Rivet head \varnothing dk +0.1 -0.3 [mm]	Height k +0.1 -0.2 [mm]	Shank slits	Article No.
3.0	3.1 - 3.2	2.0 - 3.0	4.5	6.5	2.0	2	409 631 000
		3.0 - 4.0	5.5	6.5	2.0	2	409 632 000
		4.0 - 5.0	6.5	6.5	2.0	2	409 633 000
		5.0 - 6.0	8.0	6.5	2.0	2	409 634 000
4.0	4.2 - 4.3	1.5 - 2.5	4.5	8.5	2.0	4	409 640 000
		2.5 - 3.5	5.5	8.5	2.0	4	409 641 000
		3.5 - 4.5	6.5	8.5	2.0	4	409 642 000
		4.5 - 5.5	7.5	8.5	2.0	4	409 643 000
		5.5 - 6.5	8.5	8.5	2.0	4	409 644 000
5.0	5.2 - 5.3	1.5 - 2.5	4.5	9.0	2.1	5	409 650 000
		2.5 - 3.5	5.5	9.0	2.1	5	409 651 000
		3.5 - 4.5	6.5	9.0	2.1	5	409 652 000
		4.5 - 5.5	7.5	9.0	2.1	5	409 653 000
		5.5 - 6.5	8.5	9.0	2.1	5	409 654 000
		6.5 - 7.5	9.5	9.0	2.1	5	409 655 000
6.0	6.4 - 6.5	7.5 - 8.5	10.5	9.0	2.1	5	409 656 000
		1.5 - 2.5	4.5	11.0	2.9	5	409 660 000
		2.5 - 3.5	5.5	11.0	2.9	5	409 661 000
		3.5 - 4.5	6.5	11.0	2.9	5	409 662 000
		4.5 - 5.5	7.5	11.0	2.9	5	409 663 000
		5.5 - 6.5	8.5	11.0	2.9	5	409 664 000
		6.5 - 7.5	9.5	11.0	2.9	5	409 665 000
7.5 - 8.5	10.5	11.0	2.9	5	409 666 000		

Other designs available on request.

About us

The Titgemeyer Group is a leading company for fastening technology and vehicle components at 15 locations in Europe.

The traditional company develops, manufactures and sells more than 30,000 fastening elements, tools and vehicle components – in series production and on request.

Headquarters

Titgemeyer GmbH & Co. KG
Hannoversche Straße 97
49084 Osnabrück / DE

PO Box 4320
49033 Osnabrück / DE

T +49 541 5822-0
E info@titgemeyer.com
W titgemeyer.com



Sales locations

Titgemeyer Austria GmbH
Brunner Straße 77 - 79
1230 Wien / AT

T +43 (0) 1/6 67 90 40 - 0
E sales@titgemeyer.com
W titgemeyer.at

Titgemeyer CZ spol. s r. o.
U Vodárny 1506
397 01 Písek / CZ

T +420 382 2067 - 25
E sales@titgemeyer.com
W titgemeyercz.cz

Titgemeyer Polska sp. z o.o.
Cypriana Bazylika 17
98-200 Sieradz / PL

T +48 (0) 43 828 20 - 15
E sales@titgemeyer.com
W titgemeyer.pl

Titgemeyer Skandinavien A/S
Lunikvej 32
2670 Greve / DK

T +45 4360 0966
E info@titgemeyer.dk
W titgemeyer.dk

Titgemeyer Skandinavien A/S
Box 3218
550 03 Jönköping / SE

T +46 36 128350
E info@titgemeyer.se
W titgemeyer.se

Titgemeyer Skandinavien A/S
Korkeakoulunkatu 7
33720 Tampere / FI

T +358 (0) 400 448 401
E info@titgemeyer.fi
W titgemeyer.fi

Titgemeyer Turkey Baglanti Teknolojileri San. ve Tic. A.S.
Barbaros Mah. Is Merkezi No.1
Kat: 8 D.58
34746 Atasehir, Istanbul / TUR

T +90 (0) 21 66 88 20 - 27
E sales@titgemeyer.com.tr
W titgemeyer.com.tr

Titgemeyer (UK) Limited
A2 Link One Industrial Park
George Henry Road
DY4 7BU Tipton / UK

T +44 (0) 1 21 5 57 97 - 77
E sales@titgemeyer.co.uk
W titgemeyer.co.uk

Production sites

Cirteq Limited
'Hayfield' Colne Road,
Glusburn, Keighley,
West Yorkshire, BD20 8QP

T +44 1535 633333
E sales@cirteq.com
W cirteq.com

Titgemeyer Tools & Automation spol s.r.o.
U Vodárny 1506
397 01 Písek / CZ

T +42 382 2067 - 11
E info@rivetec.cz
W rivetec.cz

RIEKO GmbH
Robert-Bosch-Straße 9
72124 Pliezhausen / DE

T +49 7127 9744 - 0
E info@rieko-web.com
W rieko-web.com

Titgemeyer GmbH & Co. KG Werk Lotte
Daimlerstraße 13 - 15
49504 Lotte / DE

T +49 5404 9666 - 0
E info@titgemeyer.com
W titgemeyer.com

TS Gesellschaft für Transport- und Sicherungssysteme mbH
Haßlinghauser Straße 156
58285 Gevelsberg / DE

T +49 541 5822 - 900
E ts@cargocontrol.de
W wir-sind-ladungssicherung.de