

Part No. 99-0005

HL 3

Hand riveting tool for installation of rivet nuts from M3 to M6

Ideal for using when the rivet size is often changed



Scope of use:

Rivet nuts	M3	M4	M5	M6	M8	M10	M12
Aluminium, Brass	✓	✓	✓	✓			
Steel	✓	✓	✓				
Stainless	✓	✓	✓				

Mandrels & anvils included

✓	✓	✓	✓				
---	---	---	---	--	--	--	--

Technical parameters:

Model	HL 3
Working stroke	7.5 mm
Weight	0.8 kg
Length	121 mm
Height	265 mm

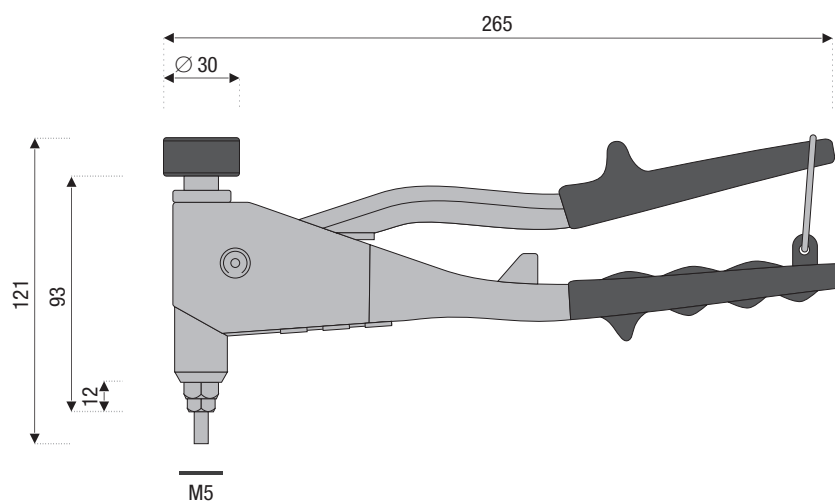
Description:

- used to install small series of standard rivet nuts
- robust construction and low weight
- quick exchange of mandrel
- small size
- comfortable operation
- low maintenance



Dimensions of tool:

HL 3



Standard accessories:

Description	Part No.
Mandrel M3	87-0008
Mandrel M4	87-0009
Mandrel M5	87-0010
Mandrel M6	87-0011
Nosepiece 3	87-0282
Nosepiece 4	87-0283
Nosepiece 5	87-0284
Nosepiece 6	87-0285